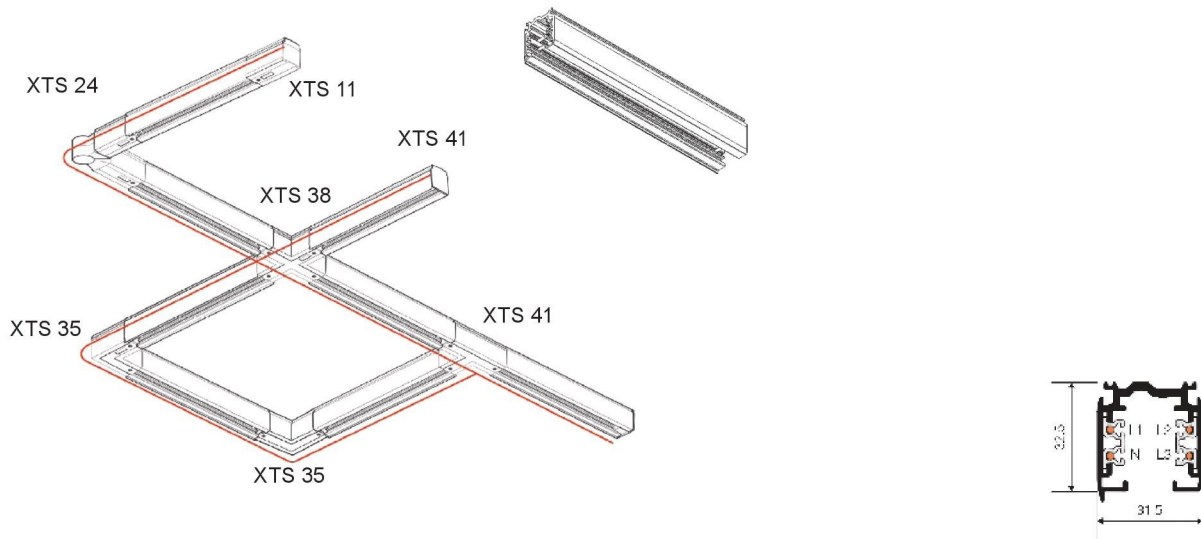


Global pro

16A/400V



GLOBAL pro 3-F skinesystem

Til professionel belysning

- Fremstillet i ekstruderet aluminium.
- 230V skinesystem til ophæng af lamper.
- Montage i loft eller nedhængt i wire.
- Stort tilbehørsprogram
- Dæklade kan åbnes for at lette montage.

Produkt specifikation

Farve	Hvid, Sort, Silver
Længde	1000, 2000, 3000, 4000 mm
Beskyttelse	IP 20

GLOBAL pro 3-circuit lighting tracks

For shops, department stores and public facilities.

- Neutral anodised aluminium.
- 230V lighting tracks
- For surface mounting in ceilings and suspended ceilings.
- Large accessories program.
- Cover open wide for easy mounting and connecting

Product specification

Colour	White, Black, Silver
Længde	1000, 2000, 3000, 4000 mm
Protection	IP 20

