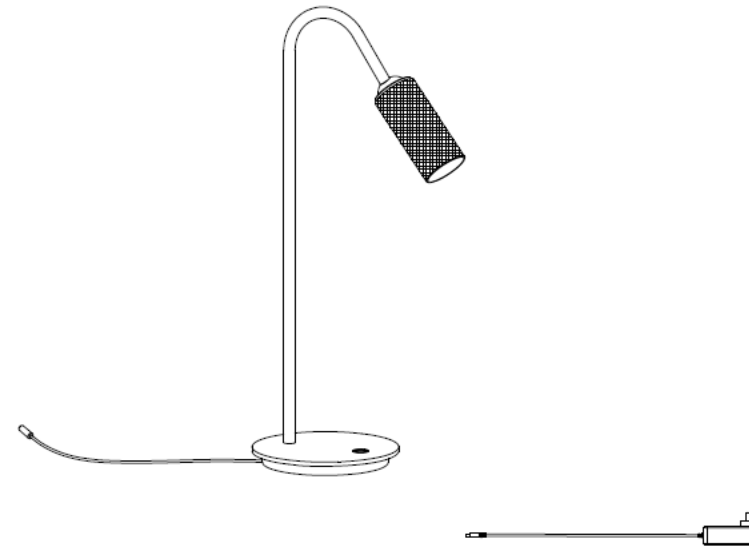
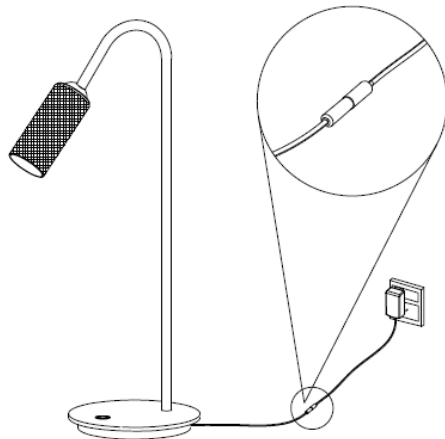


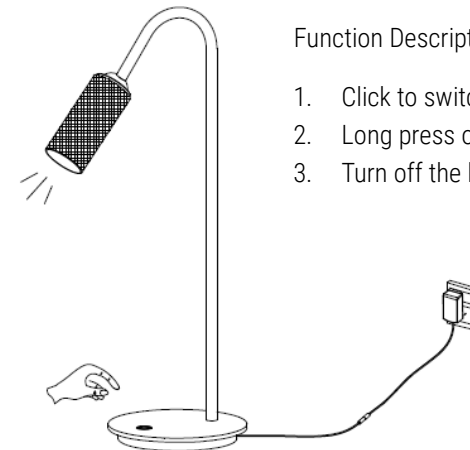
1



2



3



Function Description:

1. Click to switch the lamp on or off.
2. Long press on the switch for stepless cycle dimming.
3. Turn off the lights to keep the memory function.