

①

# ANTIDARK

## Supreme 1200mm manual

### Warning!

- During the installation make sure power is OFF.
- Fixtures must be installed by a qualified electrician in accordance with all national and local electrical and construction codes and regulations.
- Do not expose the product to the rain or high humidity environment. Indoor use only!

②

- Avoid looking directly to the LEDs light source to prevent dazzling or another annoyances.
- Electrostatic sensitive devices(ESD). Handle with necessary precautions to avoid ESD.
- Do not use chemicals or abrasives to clean this product. Use soft mat only. Avoid scratch the surface.
- Incorrect assembly can cause malfunction.

③

### Product Parameter:

Size : 1164mm

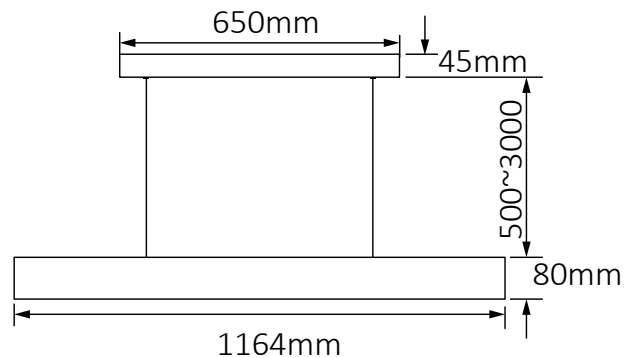
Input Voltage: AC220-240V 50/60 HZ

Driver: built-in Driver

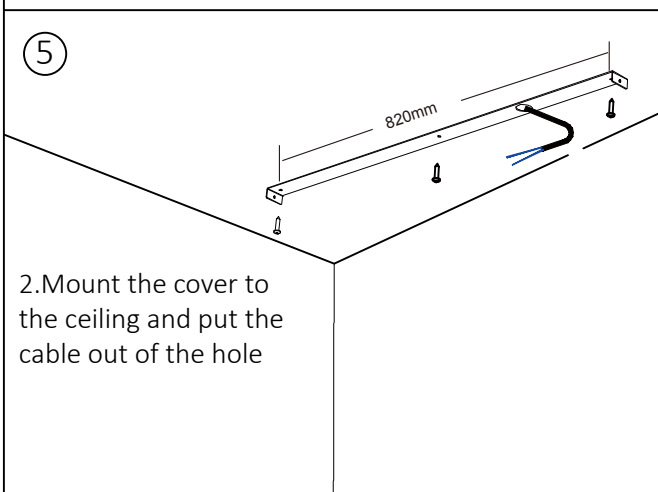
Material: Aluminium alloy Body

Dette produkt indeholder en lyskilde i energieffektivitetsklasse G

This product contains a light source in energy efficiency class G

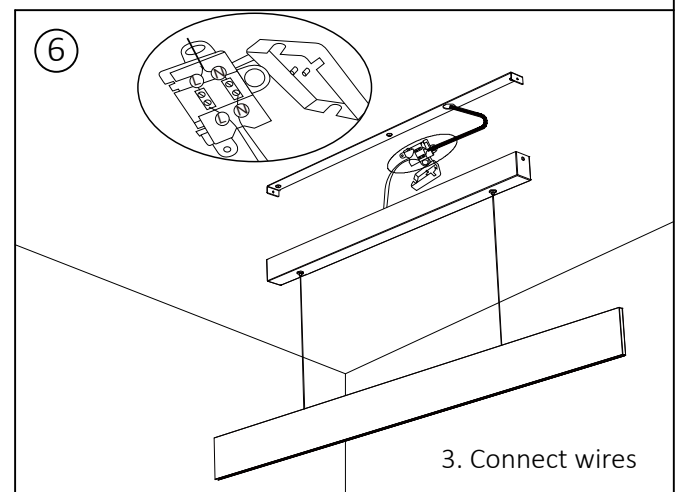


⑤



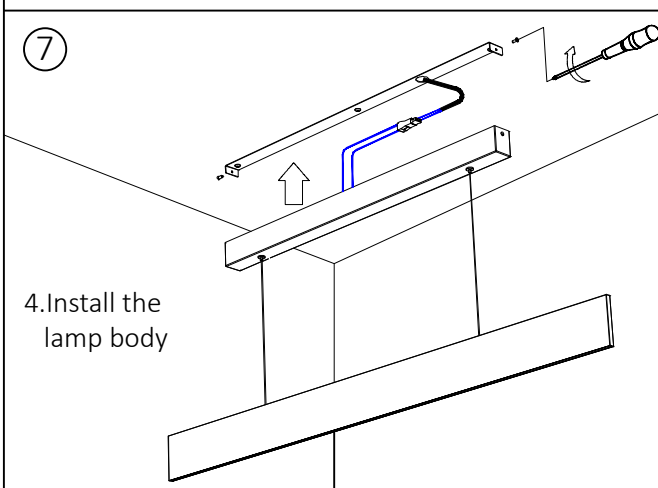
2. Mount the cover to the ceiling and put the cable out of the hole

⑥



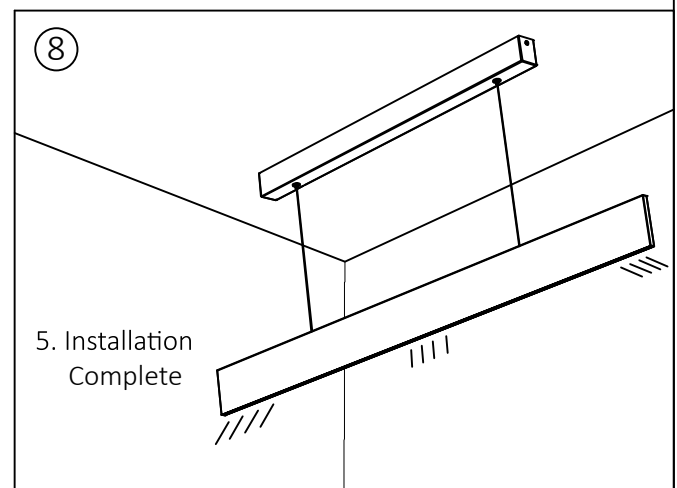
3. Connect wires

⑦



4. Install the lamp body

⑧



5. Installation Complete

①

# ANTIDARK

## Supreme 1500mm manual

### Warning!

- During the installation make sure power is OFF.
- Fixtures must be installed by a qualified electrician in accordance with all national and local electrical and construction codes and regulations.
- Do not expose the product to the rain or high humidity environment. Indoor use only!

②

- Avoid looking directly to the LEDs light source to prevent dazzling or another annoyances.
- Electrostatic sensitive devices(ESD). Handle with necessary precautions to avoid ESD.
- Do not use chemicals or abrasives to clean this product. Use soft mat only. Avoid scratch the surface.
- Incorrect assembly can cause malfunction.

③

### Product Parameter:

Size : 1464mm

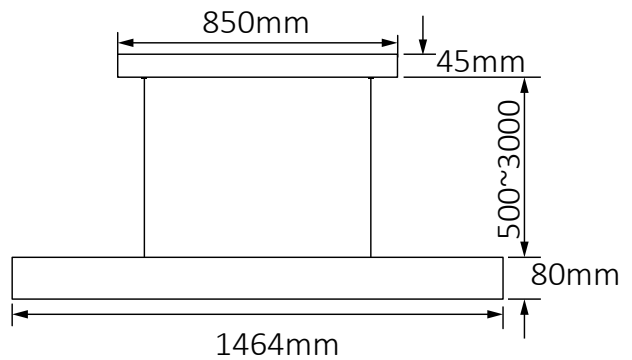
Input Voltage: AC220-240V 50/60 HZ

Driver: built-in Driver

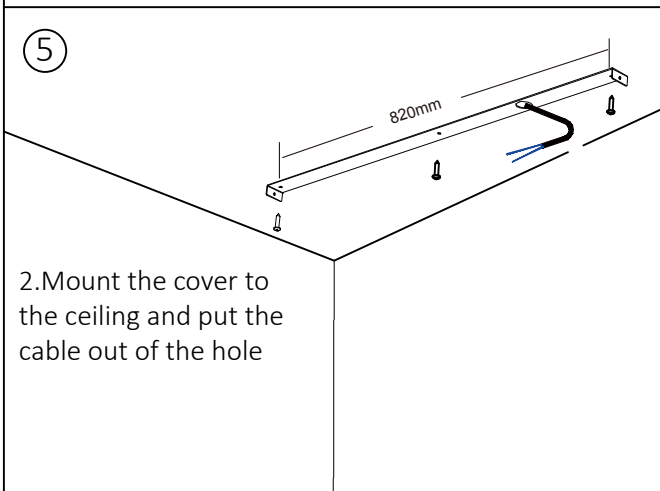
Material: Aluminium alloy Body

Dette produkt indeholder en lyskilde i energieffektivitetsklasse G

This product contains a light source in energy efficiency class G

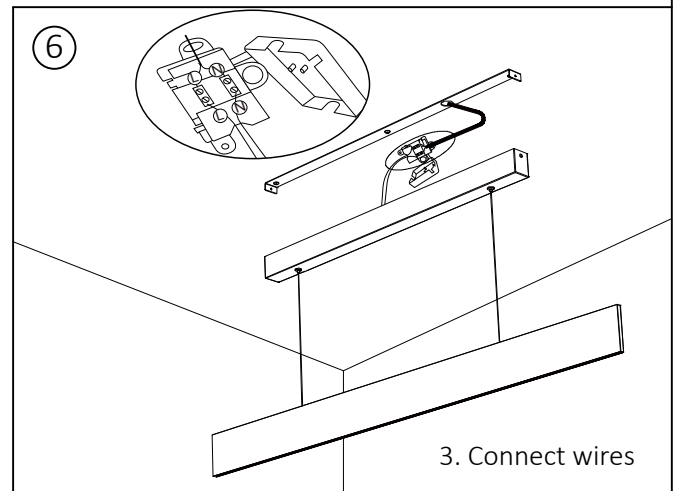


⑤



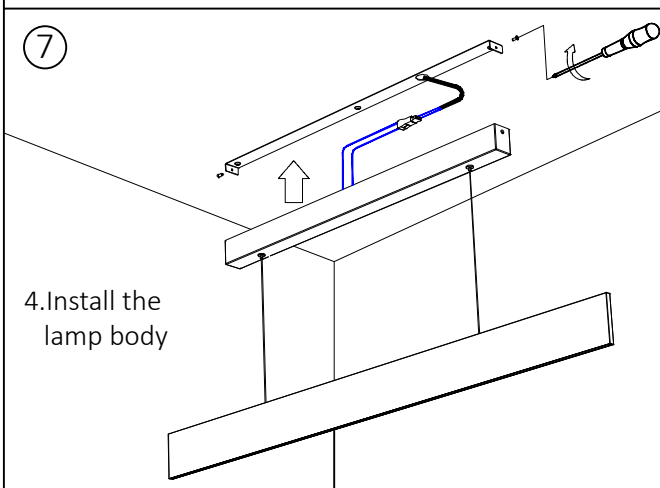
2. Mount the cover to the ceiling and put the cable out of the hole

⑥



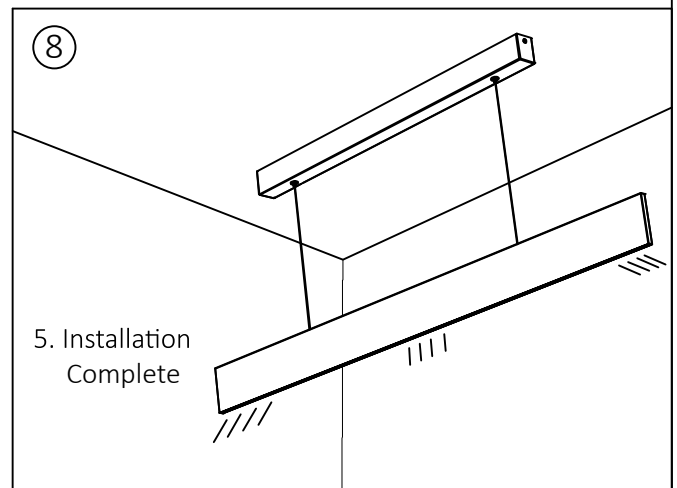
3. Connect wires

⑦



4. Install the lamp body

⑧



5. Installation Complete